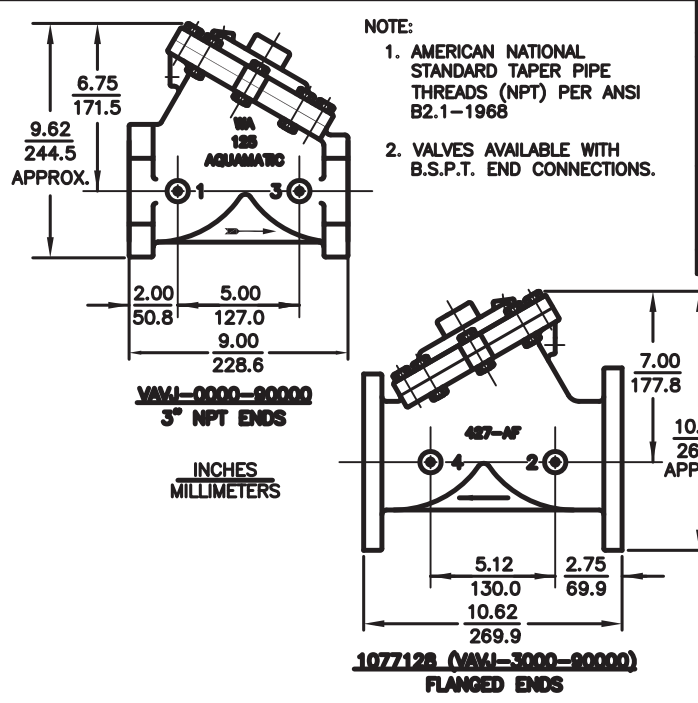
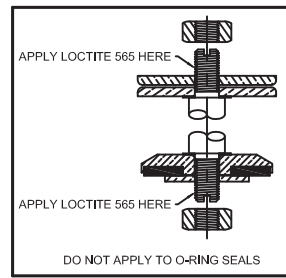
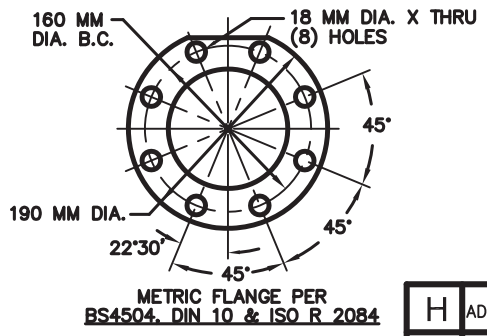
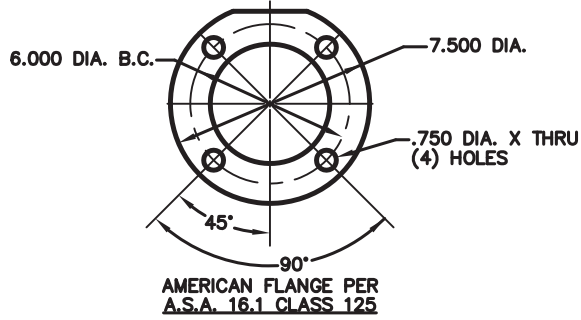


3" AIR VALVE - STANDARD MODEL

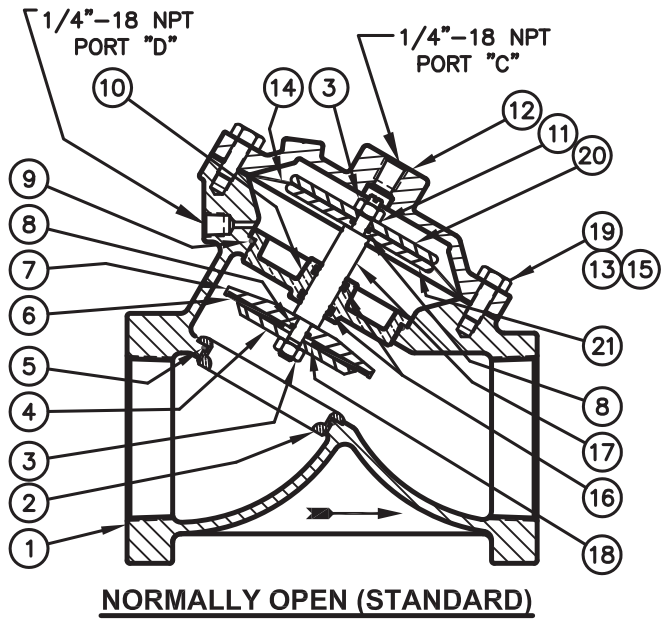


REPAIR PARTS KITS		
DESCRIPTION	PART NO.	
DIAPHRAGM & SEALS KIT CONSISTS OF ITEM NO'S 3(2),5,6,8(2),9,14,16(2)	1070110 (AV7-RA)	1070516 (AV7-RAHT)
	INCLUDES DISC 1074490 (427-JH), DIAPHRAGM 1074475 (427-FB)	INCLUDES DISC 1074491 (427-JT), DIAPHRAGM 1074477 (427-FV)
INT. PARTS KIT (NORM. OPEN) CONSISTS OF STANDARD ITEM NO'S 4,7,10,11,17,18,20,21	1070517 (AV7-RF)	
SEAT (ITEM NO. 2)	1074505	

ASSEMBLY TOOLS	
DESCRIPTION	PART NO.
FOR INSTALLATION & REMOVAL OF SHAFT GUIDE (ITEM #10) (NOT SHOWN)	1-3/16" HEX SOCKET



NO.	DESCRIPTION		STD	PART NO.	QTY.
1	BODY	CAST IRON	THREADED * FLANGED *	1074446 (427-AS) 1074438 (427-AF)	1
2	SEAT		BRASS *	1074505	1
3	HEX NUT	(5/16-24)		1263853	2
4	DISC PLATE		BRASS *	1074494 (427-KA)	1
5	O-RING		FKM *	1071826 (ORV-233)	1
6	DISC		HYCAR *	1074490 (427-JH)	1
			AFLAS		
			GLASS FILLED TEFLON	1074491 (427-JT)	
7	DISC HOLDER		BRASS *	1074483 (427-HA)	1
8	O-RING		FKM *	1071786 (ORV-011)	2
9	O-RING		FKM *	1071828 (ORV-237)	1
10	SHAFT GUIDE (REQ'S ASSY TOOL)		BRASS *	1074478 (427-GAO)	1
12	CAP		CAST IRON *	1074454 (427-C)	1
13	HEX SCREW	3/8"-16	PLATED STEEL *	1072405 (SCZ-0025)	6
14	DIAPHRAGM		BUNA N *	1074475 (427-FB)	1
			FKM	1074477 (427-FV)	
15	HEX NUT	3/8"-16	PLATED STEEL *	1071658 (NUZ-0014)	6
16	O-RING		AFLAS *	1071662 (ORA-114)	2
17	SHAFT (NORMALLY OPEN)			1074496 (427-L)	1
18	DISC SPACER		BRASS *	1074382 (426-HA)	1
19	HEX SCREW	3/8"-16	STN. STL. *	1072359 (SCS-0020)	2
20	UPPER DIAPHRAGM PLATE			1074472 (427-DA)	1
21	LOWER DIAPHRAGM PLATE			1074473 (427-DA)	1

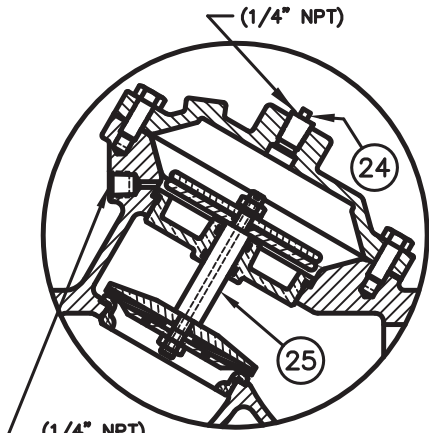


SEE REVERSE SIDE FOR CONFIGURATION OPTIONS

FORM NO. 1077639

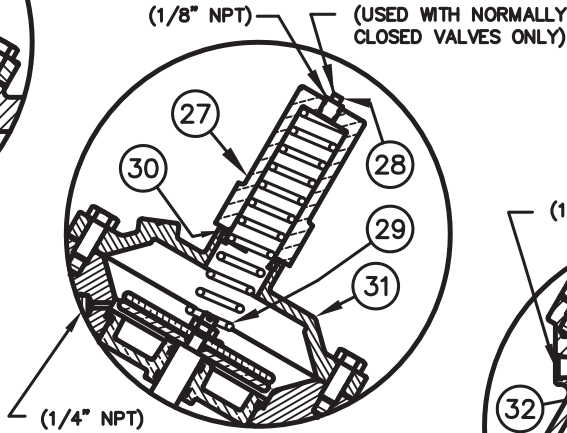
H	ADDED LOCTITE APPLICATION BOX INFO	1713	MSM	22JUN07	
REV	DESCRIPTION	ECO	DWN	DATE	APVD
<p>20580 Enterprise Avenue Brookfield, WI 53045 888.784.9065 www.Pentairwatertreatment.com</p>					
<p><b>SERIES AV7 DIAPHRAGM VALVE</b></p> <p><b>STANDARD MODEL</b></p>					
DRAWN		DATE		DRAWING NO.	
JWB		15MAY01		1084043	

NO.	DESCRIPTION	STD	PART NO.	QTY.
<b>NORMALLY CLOSED MODEL</b>				
24	PIPE PLUG (1/4" N.P.T.)	PLATED STEEL *	1071918 (PLZ-0008)	1
25	SHAFT (NORMALLY CLOSED)	*	1074499 (427-LL)	1
<b>SPRING ASSIST CLOSED MODEL</b>				
27	RETAINER NUT	BRASS *	1074431 (426-TTA)	1
28	PIPE PLUG (1/8" N.P.T.)	BRASS *	1071903 (PLB-0007)	1
29	SPRING	*	1074429 (426-SSB)	1
30	O-RING	*	1071677 (ORB-025)	1
31	CAP	CAST IRON *	1074460 (427-CC)	1
<b>SPRING ASSIST OPEN MODEL</b>				
32	SPRING	*	1078692	1
33	CENTERING WASHER	BRASS *	1074436 (426-V)	1



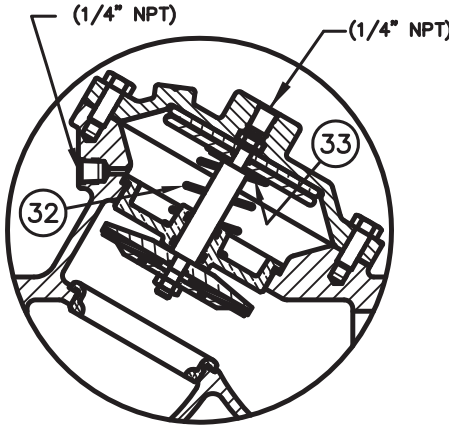
(1/4" NPT)  
 VAVJ-0030-90000 (THREADED)  
 VAVJ-3030-90000 (FLANGED)

**NORMALLY CLOSED**



(1/8" NPT) (USED WITH NORMALLY CLOSED VALVES ONLY)  
 (1/4" NPT)  
 VAVJ-0002-90000 (THREADED)  
 1080797 (VAVJ-3002-90000) (FLANGED)

**SPRING ASSIST CLOSED**



(1/4" NPT) (1/4" NPT)  
 VAVJ-0001-90000 (THREADED)  
 1072509 (VAVJ-3001-90000) (FLANGED)

**SPRING ASSIST OPEN**

SEE REVERSE SIDE FOR  
 STANDARD NORMALLY OPEN MODEL

<b>REPAIR PARTS KITS</b>	
DESCRIPTION	PART NO.
INT. PARTS KIT (NORM. CLOSED) CONSISTS OF STANDARD ITEM NO'S 4,7,10,11,18,20,21,25	1070518 (AV7-RG)
INT. PARTS KIT (SPRING ASSIST CLOSED) CONSISTS OF STANDARD ITEM NO'S 29,30	
INT. PARTS KIT (SPRING ASSIST OPEN) CONSISTS OF STANDARD ITEM NO'S 32,33	1070520 (AV7-SO)

<b>CONVERSION KITS</b>	
DESCRIPTION	PART NO.
CONVERSION KIT (SPRING ASSIST CLOSED) CONSISTS OF STANDARD ITEM NO'S 27 THRU 31	1070519 (AV7-SCC)
CONVERSION KIT (SPRING ASSIST OPEN) CONSISTS OF STANDARD ITEM NO'S 32,33	1070520 (AV7-SO)

FORM NO. 1077639

H	SEE REVERSE SIDE	1713	MSM	22JUN07	
REV	DESCRIPTION	ECO	DWN	DATE	APVD
20580 Enterprise Avenue Brookfield, WI 53045 888.784.9065 www.Pentairwatertreatment.com					
<b>SERIES AV7 DIAPHRAGM VALVE</b>					
<b>STANDARD MODEL</b>					
DRAWN	JWB	DATE	15MAY01	DRAWING NO.	1084043