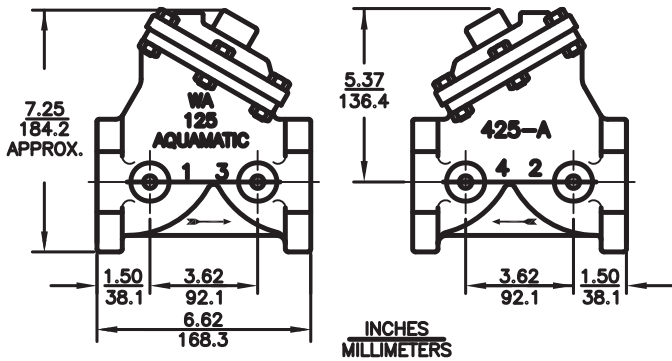


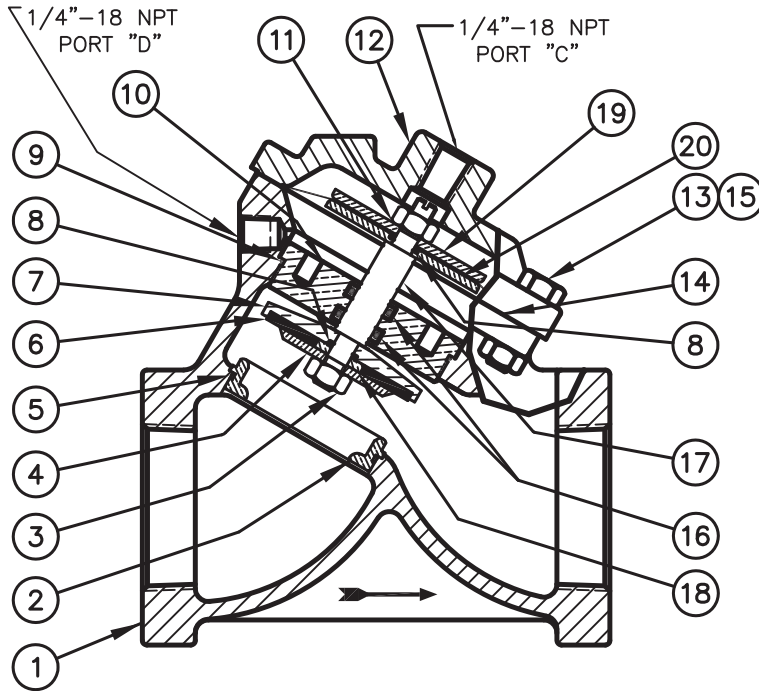
2" AIR VALVE - STANDARD MODEL



REPAIR PARTS KITS		
DESCRIPTION	PART NO.	
DIAPHRAGM & SEALS KIT CONSISTS OF ITEM NO'S 3(2),5,6,8(2),9,14,16(2)	1070108 (AV5-RA)	1070503 (AV5-RAHT)
	INCLUDES DISC 1074310 (425-JH), DIAPHRAGM 1074296 (425-FB)	INCLUDES DISC 1074311 (425-JT), DIAPHRAGM 1074297 (425-FV)
	1070504 (AV5-RF)	
INT. PARTS KIT (NORM. OPEN) CONSISTS OF STANDARD ITEM NO'S 4,7,10,17,18,19,20	1070504 (AV5-RF)	
SEAT (ITEM NO. 2)	1074321 (425-MO)	

ASSEMBLY TOOLS	
DESCRIPTION	PART NO.
FOR INSTALLATION & REMOVAL OF SEAT (ITEM #2) (TOOL NOT SHOWN)	1074411 (426-MT)
FOR INSTALLATION & REMOVAL OF SHAFT GUIDE (ITEM #10) (TOOL NOT SHOWN)	1074299 (425-GAT)

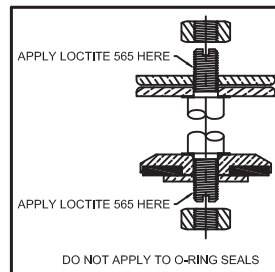
NO.	DESCRIPTION	STD	PART NO.	QTY.
1	BODY CAST IRON 2" NPT	*	1074277 (425-A)	1
2	SEAT (REQ'S ASSY TOOL) BRASS	*	1074321 (425-MO)	1
3	HEX NUT (5/16"-24)	*	1263853	2
4	DISC PLATE BRASS	*	1074313 (425-KA)	1
5	O-RING FKM	*	1071794 (ORV-035)	1
6	DISC	*	1074310 (425-JH)	1
		HYCAR		
		AFLAS		
7	DISC HOLDER BRASS	*	1074304 (425-HA)	1
8	O-RING VITON	*	1071786 (ORV-011)	2
9	O-RING VITON	*	1071795 (ORV-038)	1
10	SHAFT GUIDE (REQ'S ASSY TOOL) BRASS	*	1074298 (425-GAO)	1
12	CAP CAST IRON	*	1074281 (425-C)	1
13	HEX SCREW 5/16"-18 PLATED STEEL	*	1072400 (SCZ-0013)	6
14	DIAPHRAGM	BUNA N	* 1074296 (425-FB)	1
		FKM	* 1074297 (425-FV)	
15	HEX NUT 5/16"-18 PLATED STEEL	*	1071657 (NUZ-0011)	6
16	O-RING AFLAS	*	1071664 (ORA-206)	2
17	SHAFT (NORMALLY OPEN)	*	1074315 (425-LAA)	1
18	DISC SPACER BRASS	*	1074382 (426-HA)	1
19	UPPER DIAPHRAGM PLATE	*	1074294 (425-DA)	1
20	LOWER DIAPHRAGM PLATE	*	1074295 (425-DAA)	1



**1072482 (WAV-0000-90000) (2" NPT)  
NORMALLY OPEN (STANDARD)**

**NOTE:**

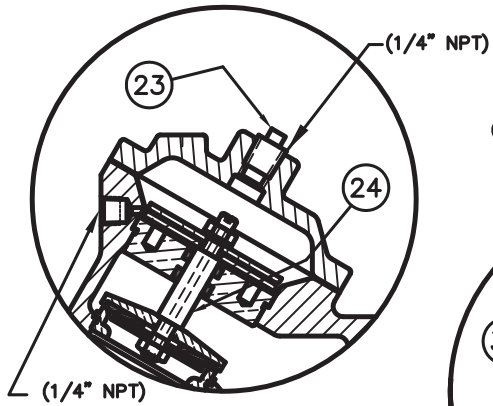
1. AMERICAN NATIONAL STANDARD TAPER PIPE THREADS (NPT) PER ANSI B2.1-1968
2. VALVES AVAILABLE WITH B.S.P.T. END CONNECTIONS.



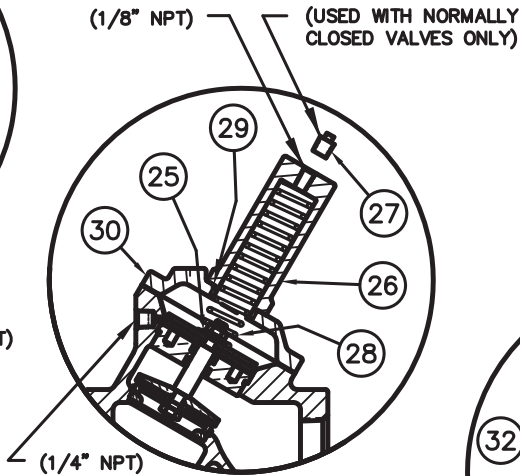
SEE REVERSE SIDE FOR CONFIGURATION OPTIONS

FORM NO. 1077637

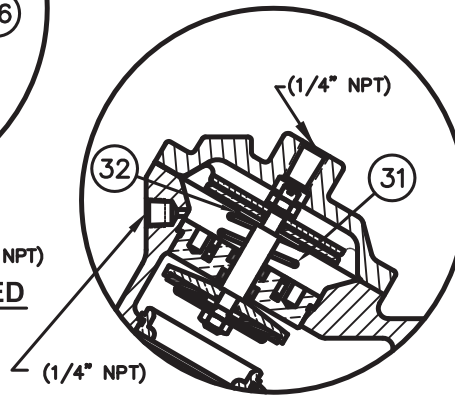
G	ADDED LOCTITE APPLICATION BOX INFO	1713	MSM	22Jun07	
REV	DESCRIPTION	ECO	DWN	DATE	APVD
<p>20580 Enterprise Avenue Brookfield, WI 53045 888.784.9065 www.Pentairwatertreatment.com</p>					
<p><b>SERIES AV5 DIAPHRAGM VALVE STANDARD MODEL</b></p>					
DRAWN		DATE		DRAWING NO.	
JWB		14MAY01		1084041	



1072486 (VAVF-0030-90000) (2" NPT)  
**NORMALLY CLOSED**



1072485 (VAVF-0002-90000) (2" NPT)  
**SPRING ASSIST CLOSED**



1072484 (VAVF-0001-90000) (2" NPT)  
**SPRING ASSIST OPEN**


NO.	DESCRIPTION	STD	PART NO.	QTY.
<b>NORMALLY CLOSED MODEL</b>				
23	PIPE PLUG (1/4" N.P.T.)	PLATED STEEL *	1071918 (PLZ-0008)	1
24	SHAFT (NORMALLY CLOSED)	*	1074318 (425-LLA)	1
<b>SPRING ASSIST CLOSED MODEL</b>				
25	CENTERING WASHER	*	1074083 (421-AH)	1
26	RETAINER NUT	BRASS *	1074431 (426-TTA)	1
27	PIPE PLUG (1/8" N.P.T.)	BRASS *	1071903 (PLB-0007)	1
28	SPRING	*	1074429 (426-SSB)	1
29	O-RING	*	1071677 (ORB-025)	1
30	CAP	CAST IRON *	1074284 (425-CA)	1
<b>SPRING ASSIST OPEN MODEL</b>				
31	SPRING	*	1078692	1
32	CENTERING WASHER	BRASS *	1074436 (426-V)	1

SEE REVERSE SIDE FOR  
STANDARD NORMALLY OPEN MODEL

<b>CONVERSION KITS</b>	
DESCRIPTION	PART NO.
CONVERSION KIT (SPRING ASSIST CLOSED) CONSISTS OF STANDARD ITEM NO'S 25 THRU 30	1070507 (AV5-SCC)
CONVERSION KIT (SPRING ASSIST OPEN) CONSISTS OF STANDARD ITEM NO'S 31,32	1070508 (AV5-SO)

<b>REPAIR PARTS KITS</b>	
DESCRIPTION	PART NO.
INT. PARTS KIT (NORM. CLOSED) CONSISTS OF STANDARD ITEM NO'S 4,7,10,18,19,20,24	1070505 (AV5-RG)
INT. PARTS KIT (SPRING ASSIST CLOSED) CONSISTS OF STANDARD ITEM NO'S 25,28,29	1070506 (AV5-SC)
INT. PARTS KIT (SPRING ASSIST OPEN) CONSISTS OF STANDARD ITEM NO'S 31,32	1070508 (AV5-SO)

FORM NO. 1077637

REV	DESCRIPTION	ECO	DWN	DATE	APVD
G	SEE REVERSE SIDE	1713	MSM	22Jun07	
 20580 Enterprise Avenue Brookfield, WI 53045 888.784.9065 www.Pentairwatertreatment.com					
<b>SERIES AV5 DIAPHRAGM VALVE</b>					
<b>STANDARD MODEL</b>					
DRAWN	JWB	DATE	14MAY01	DRAWING NO.	1084041