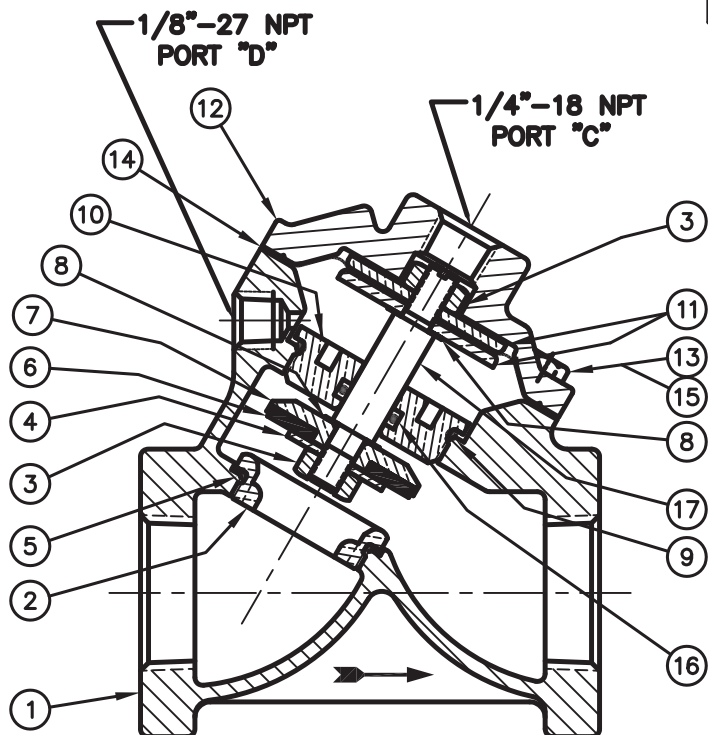


INCHES  
MILLIMETERS

REPAIR PARTS KITS		
DESCRIPTION	PART NO.	
DIAPHRAGM & SEALS KIT CONSISTS OF ITEM NO'S 3(2),5,6,8(2),9,14,16	1070106 (AV1-RA) INCLUDES DISC 1074144 (421-JH), DIAPHRAGM 1074119	1070498 (AV1-RAHT) INCLUDES DISC 1074145 (421-JT), DIAPHRAGM 1074120
INT. PARTS KIT (NORM. OPEN) CONSISTS OF STANDARD ITEM NO'S 4,7,10,11(2),17	1070118 (421-RF)	
SEAT (ITEM NO. 2)	1074158 (421-MO)	

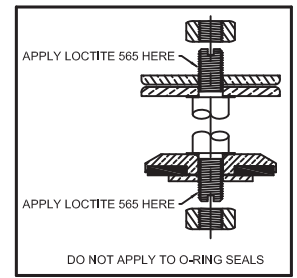
ASSEMBLY TOOLS	
DESCRIPTION	PART NO.
FOR INSTALLATION & REMOVAL OF SEAT (ITEM #2) (TOOL NOT SHOWN)	1074161 (421-MT)
FOR INSTALLATION & REMOVAL OF SHAFT GUIDE (ITEM #10) (TOOL NOT SHOWN)	1074124 (421-GT)

NO.	DESCRIPTION	STD	PART NO.	QTY.
1	BODY CAST IRON 3/4" NPT 1" NPT	*	1074085 (421-A3) 1074088 (421-A4)	1
2	SEAT (REQ'S ASSY TOOL) BRASS	*	1074158 (421-MO)	1
3	HEX NUT (1/4-28)	*	1263852	2
4	DISC PLATE BRASS	*	1074147 (421-K)	1
5	O-RING FKM	*	1071791 (ORV-024)	1
6	DISC HYPAR AFLAS GLASS FILLED TEFLON	*	1074144 (421-JH) 1074141 (421-JA) 1074145 (421-JT)	1
7	DISC HOLDER BRASS	*	1074126 (421-H)	1
8	GASKET COPPER	*	1073948 (200-GG)	2
9	O-RING FKM	*	1071803 (ORV-125)	1
10	SHAFT GUIDE (REQ'S ASSY TOOL) BRASS	*	1074122 (421-GG0)	1
11	DIAPHRAGM PLATE BRASS	*	1074117 (421-D)	2
12	CAP CAST IRON	*	1074093 (421-C)	1
13	HEX SCREW 1/4"-20 PLATED STEEL	*	1072398 (SCZ-0004)	4
14	DIAPHRAGM BUNA N FKM	*	1074119 1074120	1
15	HEX NUT 1/4"-20 PLATED STEEL	*	1071656 (NUZ-0008)	4
16	O-RING AFLAS	*	1071661 (ORA-110)	1
17	SHAFT (NORMALLY OPEN)	*	1074150 (421-L)	1



1072459 (VAVB-0000-80000) (3/4" NPT)  
1072464 (VAVC-0000-80000) (1" NPT)  
**NORMALLY OPEN (STANDARD)**

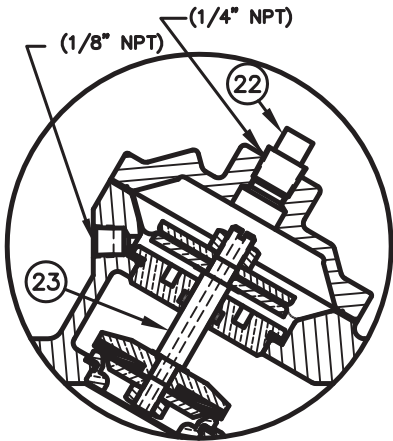
- NOTE:
1. AMERICAN NATIONAL STANDARD TAPER PIPE THREADS (NPT) PER ANSI B2.1-1968
  2. VALVES AVAILABLE WITH B.S.P.T. END CONNECTIONS.



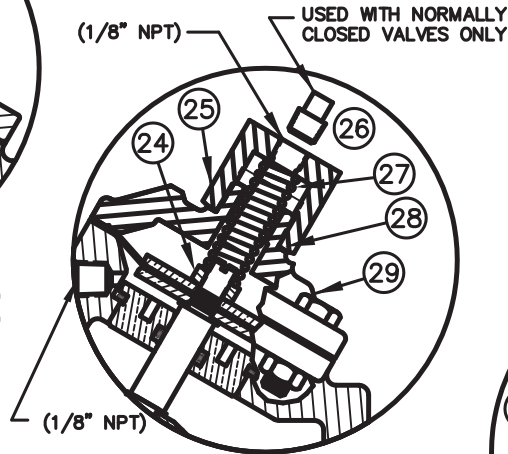
SEE REVERSE SIDE FOR CONFIGURATION OPTIONS

FORM NO. 1077635

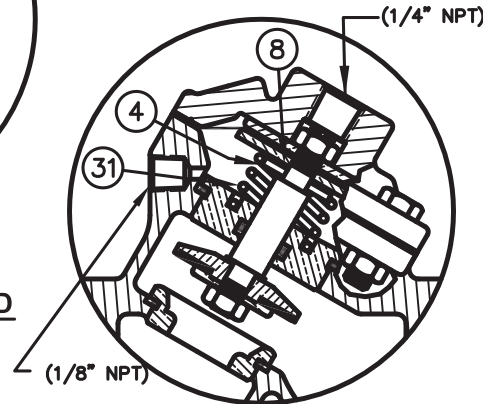
H	ADDED LOCTITE APPLICATION BOX INFO	1713	MSM	20JUN07	
REV	DESCRIPTION	ECO	DWN	DATE	APVD
<p>20580 Enterprise Avenue Brookfield, WI 53045 888.784.9065 www.Pentairwatertreatment.com</p>					
<p><b>SERIES VAV1 DIAPHRAGM VALVE</b> <b>3/4" &amp; 1" NPT OR BSPT</b></p>					
DRAWN		DATE		DRAWING NO.	
JWB		14MAY01		1084039	



1072462 (VAVB-0030-90000) (3/4" NPT)  
1072469 (VAVC-0030-90000) (1" NPT)  
**NORMALLY CLOSED**



1072461 (VAVB-0002-90000) (3/4" NPT)  
1072467 (VAVC-0002-90000) (1" NPT)  
**SPRING ASSIST CLOSED**



1070056 (VAVB-0001-90000) (3/4" NPT)  
1070060 (VAVC-0001-90000) (1" NPT)  
**SPRING ASSIST OPEN**


NO.	DESCRIPTION	STD	PART NO.	QTY.
<b>NORMALLY CLOSED MODEL</b>				
22	PIPE PLUG (1/4" N.P.T.)	PLATED STEEL *	1071918 (PLZ-0008)	1
23	SHAFT (NORMALLY CLOSED)	*	1074153 (421-LL)	1
<b>SPRING ASSIST CLOSED MODEL</b>				
24	CENTERING NUT	*	1074185 (421-X)	1
25	RETAINER NUT	BRASS *	1074183 (421-TT)	1
26	PIPE PLUG (1/8" N.P.T.)	BRASS *	1071903 (PLB-0007)	1
27	SPRING	*	1078602	1
28	O-RING	*	1071674 (ORB-020)	1
29	CAP	CAST IRON *	1074099 (421-CC)	1
<b>SPRING ASSIST OPEN MODEL</b>				
4	DISC PLATE	BRASS *	1074147 (421-K)	1
8	GASKET	COPPER *	1073948	1
31	SPRING	*	1078608	1

SEE REVERSE SIDE FOR  
STANDARD NORMALLY OPEN MODEL

<b>REPAIR PARTS KITS</b>	
DESCRIPTION	PART NO.
INT. PARTS KIT (NORM. CLOSED) CONSISTS OF STANDARD ITEM NO'S 4,7,10,11(2),23	1070129 (421-RG)
INT. PARTS KIT (SPRING ASSIST CLOSED) CONSISTS OF STANDARD ITEM NO'S 24,27,28	1074176 (421-SC)
INT. PARTS KIT (SPRING ASSIST OPEN) CONSISTS OF STANDARD ITEM NO'S 4,8,31	1074178 (421-SO)

<b>CONVERSION KITS</b>	
DESCRIPTION	PART NO.
CONVERSION KIT (SPRING ASSIST CLOSED) CONSISTS OF STANDARD ITEM NO'S 24 THRU 29	1074177 (421-SCC)
CONVERSION KIT (SPRING ASSIST OPEN) CONSISTS OF STANDARD ITEM NO'S 4,8,10,31	1074179 (421-SOC)

FORM NO. 1077635

H	SEE REVERSE SIDE	1713	MSM	20JUN07	
REV	DESCRIPTION	ECO	DWN	DATE	APVD
		20580 Enterprise Avenue Brookfield, WI 53045 888.784.9065 www.Pentairwatertreatment.com			
<b>SERIES VAV1 DIAPHRAGM VALVE</b>					
<b>3/4" &amp; 1" NPT OR BSPT</b>					
DRAWN	JWB	DATE	14MAY01	DRAWING NO. 1084039	