

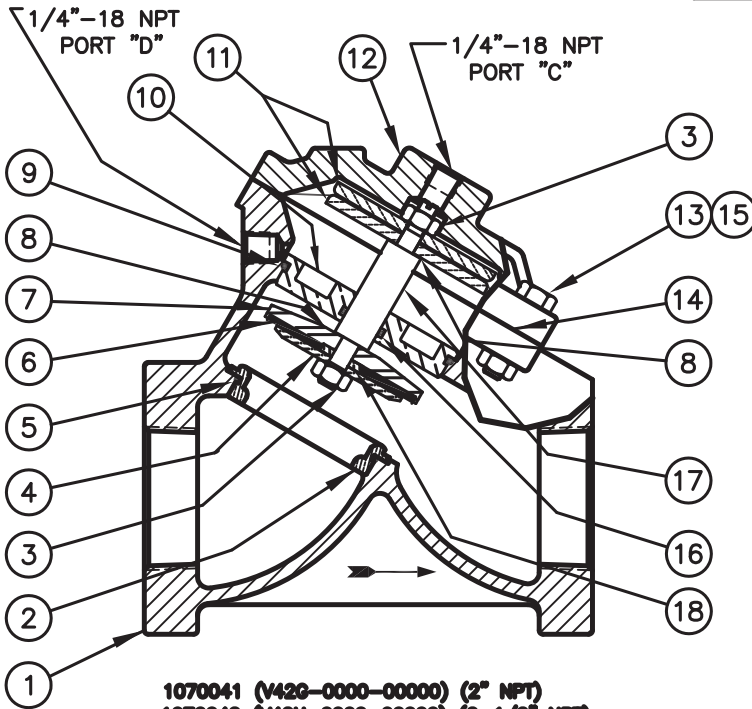
REPAIR PARTS KITS			
DESCRIPTION	PART NO.		
DIAPHRAGM & SEALS KIT CONSISTS OF ITEM NO'S 3(2),5,6,8(2),9,14,16	1070071 (426-RA)	1070084 (426-RAE)	1070096 (426-RAV)
	BUNA N INCLUDES DIAPHRAGM	E.P.D.M. INCLUDES DIAPHRAGM	FKM INCLUDES DIAPHRAGM
	1074374 (426-FB)	1074374 (426-FB)	1074376 (426-FV)
INT. PARTS KIT (NORM. OPEN) CONSISTS OF STANDARD ITEM NO'S 4,7,10,11(2),17,18	1070121 (426-RF)		
SEAT (ITEM NO. 2)	1074409 (426-MO)		

ASSEMBLY TOOLS	
DESCRIPTION	PART NO.
FOR INSTALLATION & REMOVAL OF SEAT (ITEM #2) (TOOL NOT SHOWN)	1074411 (426-MT)
FOR INSTALLATION & REMOVAL OF SHAFT GUIDE (ITEM #10) (TOOL NOT SHOWN)	1-1/4" HEX SOCKET

NOTE:

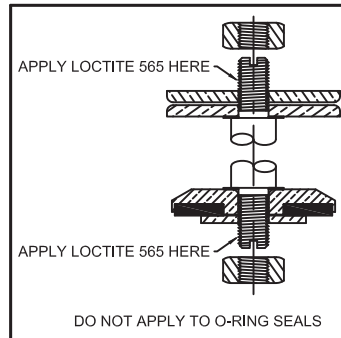
1. AMERICAN NATIONAL STANDARD TAPER PIPE THREADS (NPT) PER ANSI B2.1-1968
2. VALVES AVAILABLE WITH B.S.P.T. END CONNECTIONS.

SEE REVERSE SIDE FOR CONFIGURATION OPTIONS



1070041 (V426-0000-00000) (2" NPT)
1070042 (V42H-0000-00000) (2-1/2" NPT)

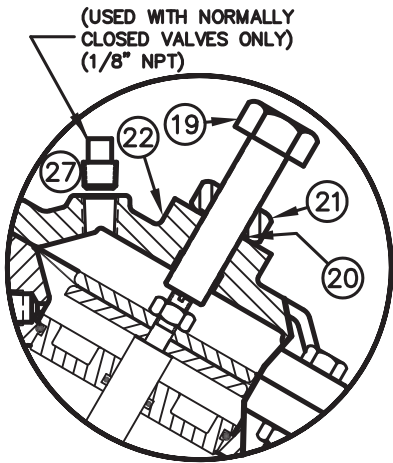
NORMALLY OPEN (STANDARD)



NO.	DESCRIPTION		STD	PART NO.	QTY.
1	BODY	CAST IRON	2" NPT	* 1074343 (426-AB)	1
			2-1/2" NPT	* 1081559 (426-A10)	
	CAST BRASS	2" NPT	1074338 (426-AB8)		
2	SEAT (REQ'S ASSY TOOL)	BRASS		* 1074409 (426-MO)	1
		STN. STL.		1074408 (426-MVO)	
3	HEX NUT (5/16-24)			* 1263853	2
4	DISC PLATE	BRASS		* 1074395 (426-K)	1
		STN. STL.		1074398 (426-KS)	
5	O-RING	BUNA N		* 1071696 (ORB-144)	1
		E.P.D.M.		1071737 (ORE-144)	
		FKM		1071809 (ORV-144)	
6	DISC	BUNA N		* 1074389 (426-J)	1
		E.P.D.M.		1074391 (426-JE)	
		FKM		1074394 (426-JV)	
		HYCAR		1074392 (426-JH)	
7	DISC HOLDER	BRASS		* 1074381 (426-H)	1
		STN. STL.		1074386 (426-HS)	
8	GASKET	COPPER		* 1074252 (424-R)	2
9	O-RING	BUNA N		* 1071706 (ORB-233)	1
		E.P.D.M.		1071754 (ORE-233)	
		FKM		1071826 (ORV-233)	
10	SHAFT GUIDE (REQ'S ASSY TOOL)	BRASS		* 1074379 (426-GO)	1
		STN. STL.		1074378 (426-GSO)	
11	DIAPHRAGM PLATE	BRASS		* 1074370 (426-D)	2
		STN. STL.		1074371 (426-DA)	
12	CAP	CAST IRON		* 1081560 (426-C)	1
13	HEX SCREW	CAST BRASS		1074348 (426-CB)	6
		PLATED STEEL		* 1072401 (SCZ-0015)	
14	DIAPHRAGM	STN. STL.		1072358 (SCS-0016)	6
		BUNA N		* 1074374 (426-FB)	
15	HEX NUT	FKM		1074376 (426-FV)	1
		PLATED STEEL		* 1071657 (MIZ-0011)	
16	O-RING	STN. STL.		1071655 (MUS-0035)	6
		BUNA N		* 1071691 (ORB-114TC)	
		E.P.D.M.		1071729 (ORE-114TC)	
17	SHAFT (NORMALLY OPEN)	FKM		1242391 (ORV-114TC)	1
		BRASS		* 1074400 (426-L)	
18	DISC SPACER	BRASS		* 1074382 (426-HA)	1
		STN. STL.		1074384 (426-HAS)	1

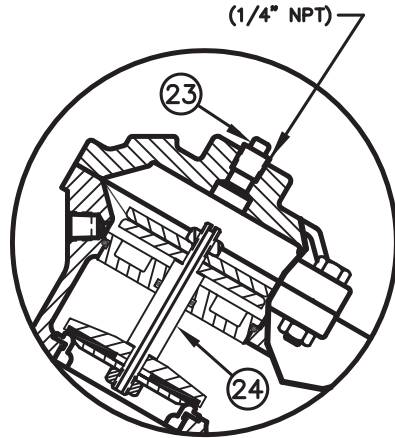
FORM NO. 1077616

K	ADDED LOCTITE APPLICATION BOX INFO	1713	MSM	29MAY07	
REV	DESCRIPTION	ECO	DWN	DATE	APVD
<p>20580 Enterprise Avenue Brookfield, WI 53045 888.784.9065 www.Pentairwatertreatment.com</p>					
<p>SERIES 426 DIAPHRAGM VALVE STANDARD MODEL</p>					
DRAWN	JWB	DATE	02May01	DRAWING NO.	1084021



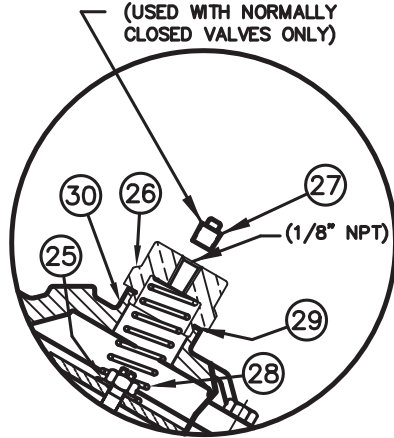
1072939 (V42G-0010-00000) (2" NPT)
1072998 (V42H-0010-00000) (2-1/2" NPT)

LIMIT STOP



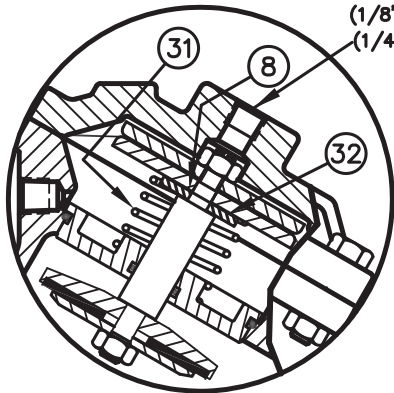
1072945 (V42G-0030-00000) (2" NPT)
1073002 (V42H-0030-00000) (2-1/2" NPT)

NORMALLY CLOSED



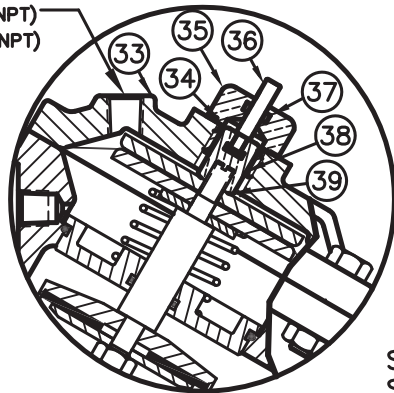
1072935 (V42G-0002-00000) (2" NPT)
1072996 (V42H-0002-00000) (2-1/2" NPT)

SPRING ASSIST CLOSED



1072932 (V42G-0001-00000) (2" NPT)
1072994 (V42H-0001-00000) (2-1/2" NPT)

SPRING ASSIST OPEN



1072943 (V42G-0021-00000) (2" NPT)
1073001 (V42H-0021-00000) (2-1/2" NPT)

POSITION INDICATOR

NOTE:

1. SPRING ASSIST CLOSED MODEL CANNOT BE COMBINED WITH LIMIT STOP OR POSITION INDICATOR MODELS.
2. VALVES AVAILABLE WITH B.S.P. OR J.I.S. END CONNECTIONS.


SEE REVERSE SIDE FOR STANDARD NORMALLY OPEN MODEL

NO.	DESCRIPTION	STD	PART NO.	QTY.
LIMIT STOP MODEL				
19	SCREW	*	1072364 (SCS-0042)	1
20	O-RING	*	1071690 (ORB-112)	1
21	NUT	*	1074434 (426-U)	1
22	CAP		CAST IRON * 1074354 (426-CCC)	1
			CAST BRASS 1074357 (426-CCCB)	
NORMALLY CLOSED MODEL				
23	PIPE PLUG (1/4" N.P.T.)		PLATED STEEL * 1071918 (PLZ-0008)	1
			BRASS 1071904 (PLB-0009)	
			STN. STL 1071915 (PLS-0001)	
24	SHAFT (NORMALLY CLOSED)	*	1074402 (426-LL)	1
SPRING ASSIST CLOSED MODEL				
25	CENTERING WASHER		BRASS * 1074083 (421-AH)	1
			STN. STL 1074084 (421-AHS)	
26	RETAINER NUT		BRASS * 1074430 (426-TT)	1
			STN. STL 1078686	
27	PIPE PLUG (1/8" N.P.T.)		PLATED STEEL * 1071917 (PLZ-0005)	1
			BRASS 1071903 (PLB-0007)	
			STN. STL 1071916 (PLS-0002)	
28	SPRING	*	1078688	1
29	O-RING	*	1071677 (ORB-025)	1
30	CAP		CAST IRON * 1074352 (426-CC)	1
			CAST BRASS 1074353 (426-CCB)	
SPRING ASSIST OPEN MODEL				
8	GASKET		COPPER * 1074252 (424-R)	1
			LEAD 1074263 (424-RL)	
31	SPRING	*	1078692	1
32	CENTERING WASHER		BRASS * 1074436 (426-V)	1
			STN. STL 1074437 (426-VS)	
POSITION INDICATOR MODEL				
33	CAP		CAST IRON * 1074360 (426-CF)	1
			CAST BRASS 1074364 (426-CFB)	
34	O-RING	*	1071692 (ORB-116)	1
35	SHAFT GUIDE BUSHING	*	1074121 (421-GF)	1
36	INDICATOR SHAFT	*	1074325 (425-PM)	1
37	O-RING	*	1071688 (ORB-108TC)	1
38	TOP NUT	*	1074332 (425-TB)	1
39	LOCKWASHER	*	1073590 (WAS-0007)	1

FORM NO. 1077616

CONVERSION KITS	
DESCRIPTION	PART NO.
CONVERSION KIT (LIMIT STOP) CONSISTS OF STANDARD ITEM NO'S 19,20,21,22	1074406 (426-LS)
CONVERSION KIT (SPRING ASSIST CLOSED) CONSISTS OF STANDARD ITEM NO'S 25 THRU 30	1074426 (426-SC)
CONVERSION KIT (SPRING ASSIST OPEN) CONSISTS OF STANDARD ITEM NO'S 8,31,32	1074427 (426-SO)
CONVERSION KIT (POSITION INDICATOR) CONSISTS OF STANDARD ITEM NO'S 33 THRU 39	1074414 (426-PI)

REPAIR PARTS KITS	
DESCRIPTION	PART NO.
INT. PARTS KIT (LIMIT STOP) CONSISTS OF STANDARD ITEM NO'S 19,20,21	1074405 (426-LS)
INT. PARTS KIT (NORM. CLOSED) CONSISTS OF STANDARD ITEM NO'S 4,7,10,11(2),18,24	1070132 (426-RG)
INT. PARTS KIT (SPRING ASSIST CLOSED) CONSISTS OF STANDARD ITEM NO'S 25,28,29	1074425 (426-SC)
INT. PARTS KIT (SPRING ASSIST OPEN) CONSISTS OF STANDARD ITEM NO'S 8,31,32	1074427 (426-SO)
INT. PARTS KIT (POSITION INDICATOR) CONSISTS OF STD ITEM NO'S 34 THRU 39	1074413 (426-PI)

K	SEE REVERSE SIDE	1713	MSM	29MAY07
REV	DESCRIPTION	ECO	DWN	DATE
 <p>20580 Enterprise Avenue Brookfield, WI 53045 888.784.9065 www.Pentairwatertreatment.com</p>				
SERIES 426 DIAPHRAGM VALVE				
STANDARD MODEL				
DRAWN	JWB	DATE	02May01	DRAWING NO. 1084021