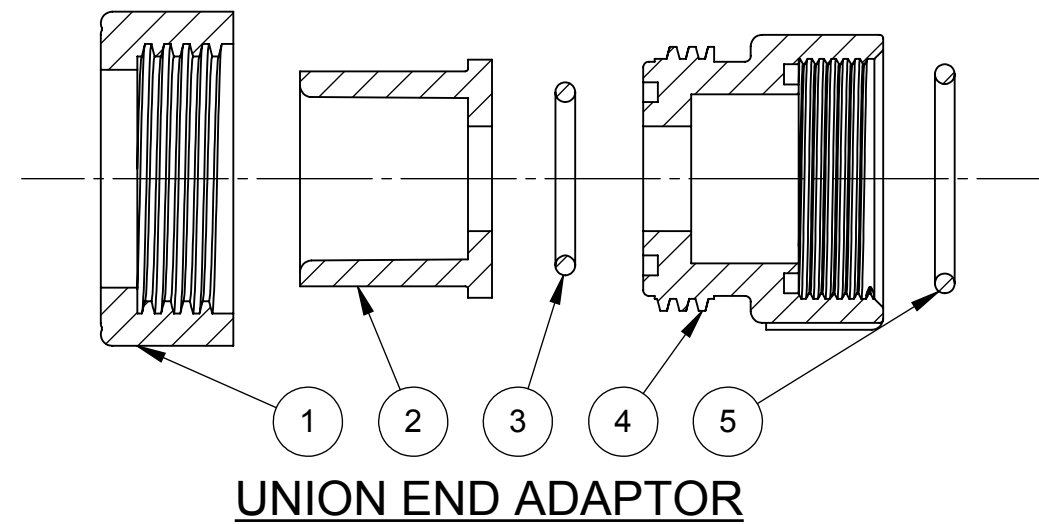


FEMALE SOCKET WELD END CONNECTOR

VALVE SERIES	STANDARD	DIAMETER A	DEPTH B	TAPER C
520	A.S.T.M. 1/2"	.848/.856"	.875"	0°, 24'
	I.S.O. NS-15	20.1/20.3 MM	22.2 MM	0°, 15'
	J.I.S 16	21.9/22.3 MM	22.2 MM	0°, 19'
521	A.S.T.M. 1"	1.325/1.335"	1.125"	0°, 23'
	I.S.O. NS-25	32.1/32.3 MM	28.6 MM	0°, 15'
	J.I.S 25	31.9/32.4 MM	28.6 MM	0°, 16'
524	A.S.T.M. 1-1/2"	1.912/1.924"	1.375"	0°, 23'
	I.S.O. NS-40	50.1/50.3 MM	34.9 MM	0°, 15'
	J.I.S 40	47.9/48.5 MM	34.9 MM	0°, 16'



SERIES 520 UNION END ADAPTOR KITS

A.S.T.M. 1/2" INCLUDES ITEMS 1,2,3,4,5	E.P.D.M O-RING	1070184 (K520100)
	BUTYL O-RING	1070185 (K520101)
	FKM O-RING	1070186 (K520102)
I.S.O NW-15 INCLUDES ITEMS 1,2,3,4,5	E.P.D.M O-RING	1070190 (K520103)
	BUTYL O-RING	1070191 (K520104)
	FKM O-RING	1070192 (K520105)
J.I.S - 16 INCLUDES ITEMS 1,2,3,4,5	E.P.D.M O-RING	1070193 (K520106)
	BUTYL O-RING	1070194 (K520107)
	FKM O-RING	1070195 (K520108)

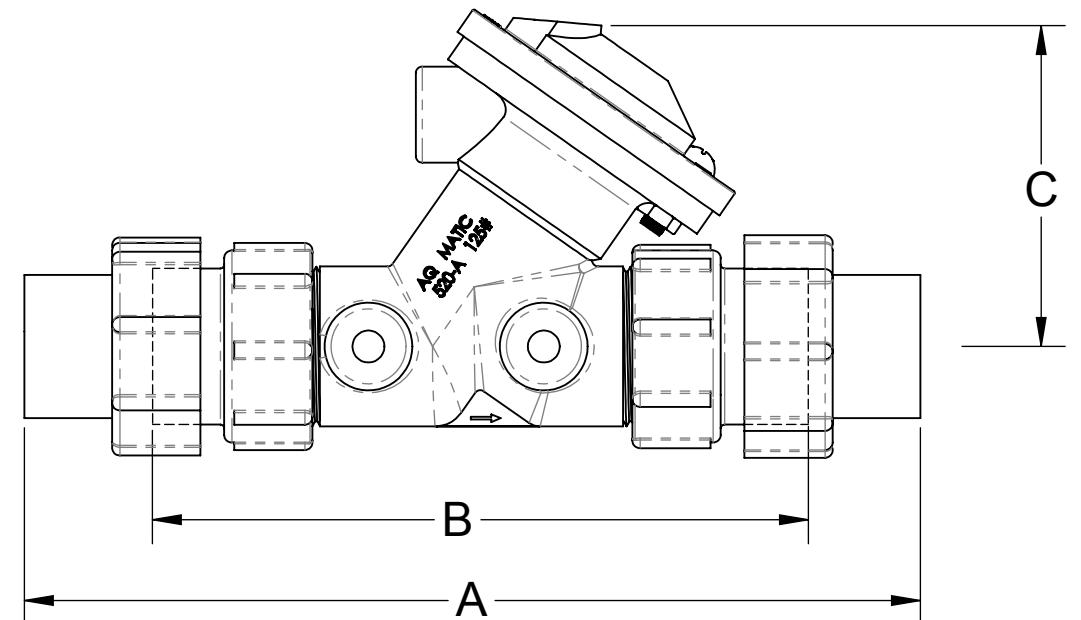
SERIES 521 UNION END ADAPTOR KITS

A.S.T.M. 1" INCLUDES ITEMS 1,2,3,4,5	E.P.D.M O-RING	1070202 (K521100)
	BUTYL O-RING	1071153 (K521101)
	FKM O-RING	1071154 (K521102)
I.S.O NW-25 INCLUDES ITEMS 1,2,3,4,5	E.P.D.M O-RING	1070204 (K521103)
	BUTYL O-RING	1071155 (K521104)
	FKM O-RING	1071156 (K521105)
J.I.S - 25 INCLUDES ITEMS 1,2,3,4,5	E.P.D.M O-RING	1070205 (K521106)
	BUTYL O-RING	1071157 (K521107)
	FKM O-RING	1071158 (K521108)

SERIES 524 UNION END ADAPTOR KITS

A.S.T.M. 1-1/2" INCLUDES ITEMS 1,2,3,4,5	E.P.D.M O-RING	1070208 (K524100)
	BUTYL O-RING	1071220 (K524101)
	FKM O-RING	1070209 (K524102)
I.S.O NW-40 INCLUDES ITEMS 1,2,3,4,5	E.P.D.M O-RING	1070212 (K524103)
	BUTYL O-RING	1071221 (K524104)
	FKM O-RING	1070213 (K524105)
J.I.S - 40 INCLUDES ITEMS 1,2,3,4,5	E.P.D.M O-RING	1070214 (K524106)
	BUTYL O-RING	1071222 (K524107)
	FKM O-RING	1070215 (K524108)

NOTE: ALL ADAPTOR KITS CONTAIN (2) ADAPTORS, (ONE KIT REQ'D PER VALVE)



VALVE SERIES	UNITS	LENGTH A	LENGTH B	HEIGHT C
520	INCHES	7.00	4.87	2.62
	MM	177.8	123.7	66.5
521	INCHES	9.00	6.31	4.06
	MM	228.6	160.3	103.1
524	INCHES	12.50	9.31	5.06
	MM	317.5	236.5	128.5

REVISIONS				
ECN	REV.	DESCRIPTION	DATE	APP'D
1416	A	RELEASE NEW DESIGN	07/25/01	VP
103861	B	1- REDRAWN IN SOLIDWORKS, 2- WAS 1074991, 3- WAS 1070153, 4- WAS 1070154, 5- WAS 57.2 MM, 6- WAS 23.5 MM	10/06/14	TJM
1001	C	AQ Matic UPDATE & VERIFIED PART NUMBERS	01/20/17	MGS
1507	D	1-ADD MODEL NUMBERS TO KIT CALLOUTS, 2-CORRECT MINOR ERRORS, 3- CONSOLIDATE 1081309 & 1081309-2	05/15/19	KJB

SERIES 520 UNION END ADAPTOR

1	TAILPIECE NUT		1074995
2	FEMALE SOCKET WELD END CONNECTOR	A.S.T.M. 1/2"	3020727
		I.S.O. NW-15	1074992
		J.I.S. 16	1074993
3	O-RING	E.P.D.M	1071730
		BUTYL	1071766
		FKM	1071801
4	TAILPIECE		1074996
5	O-RING	E.P.D.M	1071731
		BUTYL	1071767
		FKM	1071802

SERIES 521 UNION END ADAPTOR

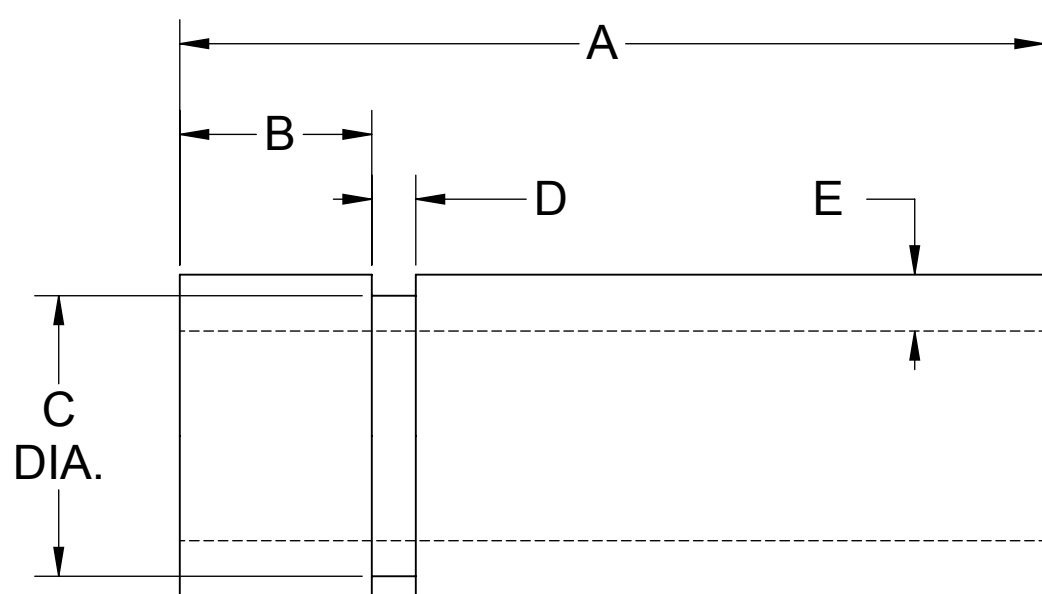
1	TAILPIECE NUT		1075067
2	FEMALE SOCKET WELD END CONNECTOR	A.S.T.M. 1"	1075061
		I.S.O. NW-25	1075063
		J.I.S. 25	1075065
3	O-RING	E.P.D.M	1071732
		BUTYL	1071768
		FKM	1071803
4	TAILPIECE		1075068
5	O-RING	E.P.D.M	1071733
		BUTYL	1071769
		FKM	1071804

SERIES 524 UNION END ADAPTOR

1	TAILPIECE NUT		1075150
2	FEMALE SOCKET WELD END CONNECTOR	A.S.T.M. 1-1/2"	1075144
		I.S.O. NW-40	1075146
		J.I.S. 40	1075148
3	O-RING	E.P.D.M	1071735
		BUTYL	1071771
		FKM	1071807
4	TAILPIECE		1075151
5	O-RING	E.P.D.M	1071736
		BUTYL	1071772
		FKM	1071808

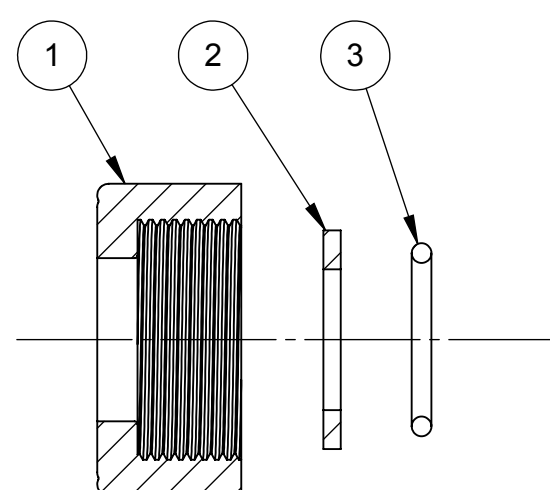
• SEE DRAWING 1078150 FOR THREADED SOCKET WELD ENDS & THREADED FLANGED ADAPTORS

<small>THIS DOCUMENT IS SOLELY THE PROPERTY OF AQ-MATIC REPRODUCTION, USE DISCLOSURE, OR TRANSMISSION OF THIS DOCUMENT OR DETAILS CONTAINED HEREIN, IN PART OR IN WHOLE, IS PROHIBITED WITHOUT THE WRITTEN CONSENT OF AQ-MATIC ENGINEERING. THIS DOCUMENT AND ANY COPIES SHALL BE RETURNED TO AQ-MATIC UPON WRITTEN REQUEST.</small>		<small>THE COMPONENT, PART, OR ASSEMBLY DESCRIBED IN THIS DOCUMENT MUST COMPLY WITH THE EU (EUROPEAN UNION) DIRECTIVE: RoHS DIRECTIVE 2011/65/EC.</small>		
THIRD ANGLE PROJECTION				
APPROVALS	DATE			
DRAWN	MCP	7OCT14	K520, K521, K524 END CONECTOR PARTS & KITS	
CHECKED BY				
APPROVED			SIZE C	DWG NO. 1081309
		SCALE 1:2	SOLIDWORKS FORMAT	REV. D
		SHEET 1 OF 2		



RING GROOVE DIMENSIONS

VALVE SERIES	UNITS	LENGTH A	LOCATION B	DIA. C	WIDTH D	WALL THK E
520	INCHES MM	2.25 57.2	0.500 12.7	0.730 18.5	0.115 2.9	0.147 3.7
521	INCHES MM	3.00 76.2	0.500 12.7	1.200 30.5	0.115 2.9	0.179 4.55
524	INCHES MM	4.00 101.6	0.875 22.2	1.800 45.7	0.115 2.9	0.200 5.1



RETAINER NUT/SPLIT RING CONNECTOR

VALVE SERIES	520	521	524
1 RETAINER NUT	1074974	1075041	1075112
2 SPLIT RING	1074975	1075042	1075113
3 O-RING	E.P.D.M	1071730	1071732
	BUTYL	1071766	1071768
	FKM	1071801	1071803

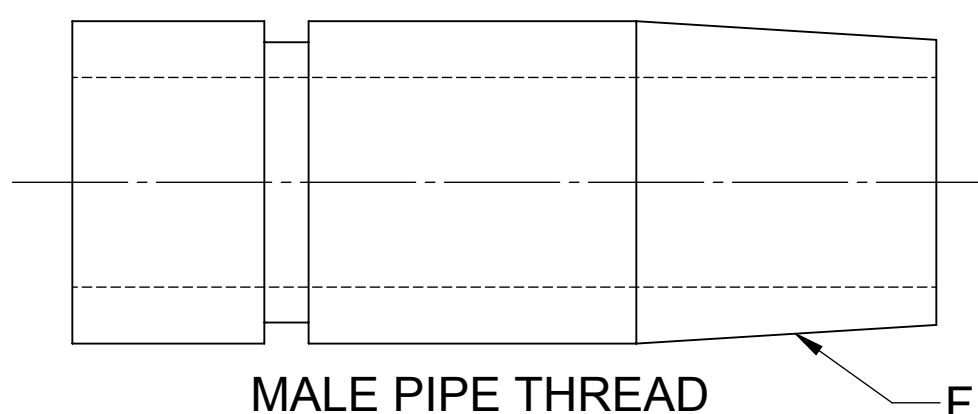
REVISIONS				
ECN	REV.	DESCRIPTION	DATE	APP'D
		SEE SHEET 1 FOR A LIST OF CHANGES		

RETAINER NUT/SPLIT RING CONNECTOR KITS

SERIES 520 INCLUDES ITEMS 1,2,3	E.P.D.M O-RING	1070238 (K520109)
	BUTYL O-RING	1070239 (K520110)
	FKM O-RING	1070240 (K520111)
SERIES 521 INCLUDES ITEMS 1,2,3	E.P.D.M O-RING	1070244 (K521109)
	BUTYL O-RING	1071159 (K521110)
	FKM O-RING	1071160 (K52111)
SERIES 524 INCLUDES ITEMS 1,2,3	E.P.D.M O-RING	1070246 (K524109)
	BUTYL O-RING	1071223 (K524110)
	FKM O-RING	1070247 (K524111)

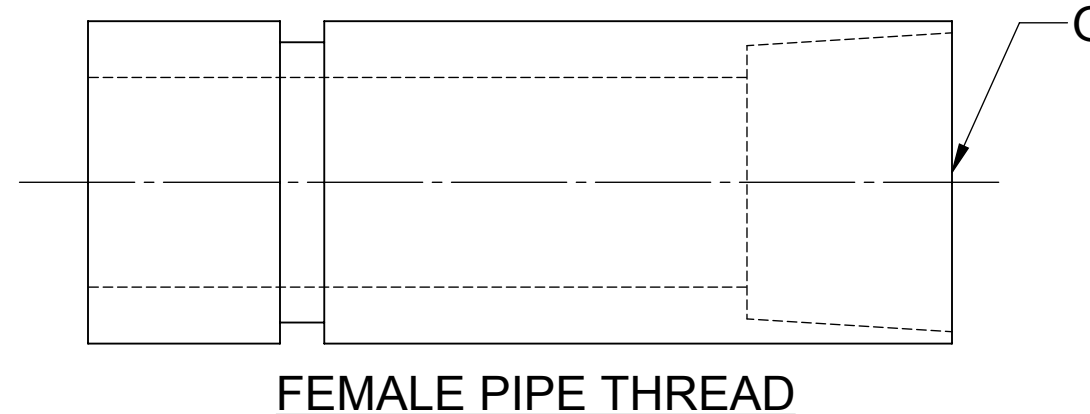
NOTE: ALL CONNECTOR KITS CONTAIN (2) CONNECTORS, (ONE KIT REQ'D PER VALVE)

GROOVED ADAPTOR KITS



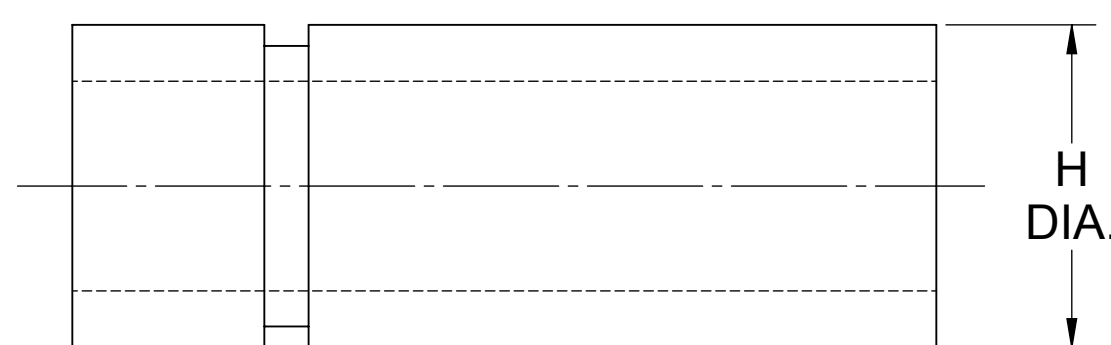
MALE PIPE THREAD

VALVE SERIES	520	521	524
PART NO.	1070221	1070227	1070233
DIM. F	1/2" NPT	1" NPT	1-1/2" NPT



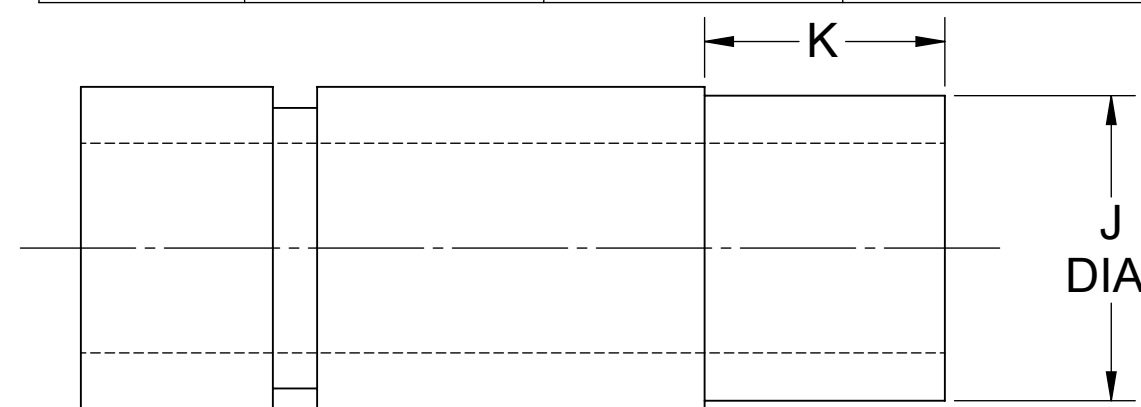
FEMALE PIPE THREAD

VALVE SERIES	520	521	524
PART NO.	1070222	1070228	1070234
DIM. G	3/8" NPT	3/4" NPT	1-1/4" NPT



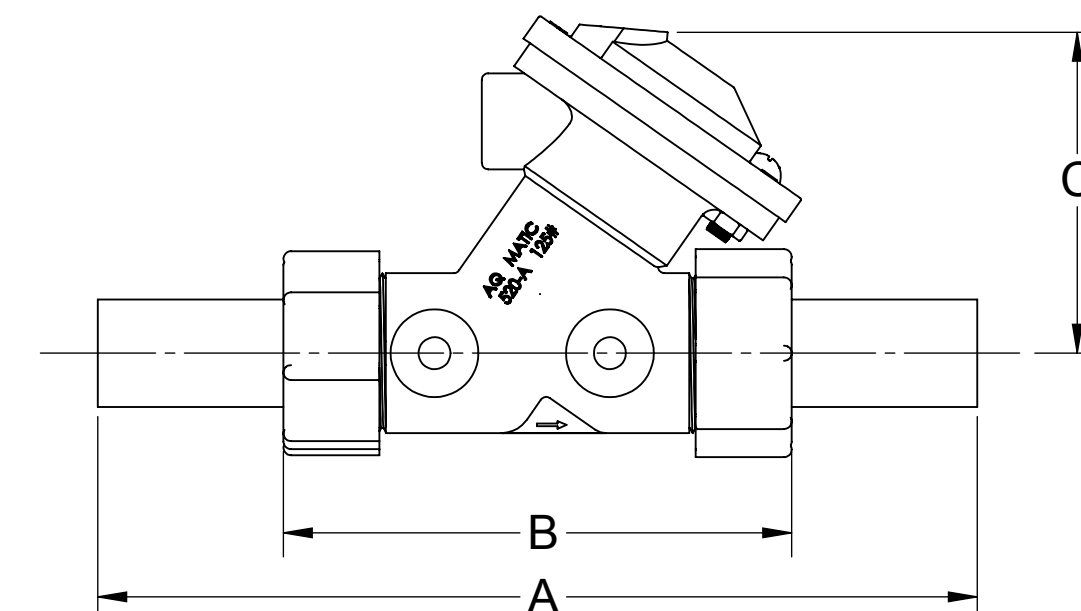
MALE SOCKET WELD

VALVE SERIES	520	521	524
PART NO.	1070220	1070226	1070232
DIM. H	0.840 IN. 21.3 MM	1.315 IN. 33.4 MM	1.900 IN. 48.3 MM



MALE SOCKET WELD (METRIC)

VALVE SERIES	520	521	524
PART NO.	1071057	1071091	1071162
DIM. J	20.2 MM	32.2 MM	50.2 MM
DIM. K	15.9 MM	25.4 MM	30.0 MM



VALVE SERIES	UNITS	LENGTH A	LENGTH B	HEIGHT C
520	INCHES MM	7.00 177.8	3.93 99.8	2.62 66.5
521	INCHES MM	9.00 228.6	4.50 114.3	4.06 103.1
524	INCHES MM	13.25 336.5	7.75 196.9	5.06 128.5

• SEE DRAWING 1078150 FOR THREADED SOCKET WELD ENDS & THREADED FLANGED ADAPTORS

NOTE: ALL ADAPTOR KITS CONTAIN (2) ADAPTORS, (ONE KIT REQ'D PER VALVE)

THIS DOCUMENT IS SOLELY THE PROPERTY OF AQ-MATIC REPRODUCTION, USE DISCLOSURE, OR TRANSMISSION OF THIS DOCUMENT OR DETAILS CONTAINED HEREIN, IN PART OR IN WHOLE, IS PROHIBITED WITHOUT THE WRITTEN CONSENT OF AQ-MATIC ENGINEERING. THIS DOCUMENT AND ANY COPIES SHALL BE RETURNED TO AQ-MATIC UPON WRITTEN REQUEST.

DO NOT SCALE DRAWING. DIMS. ARE IN INCHES [mm] INTERPRET DIMS AND TOLERANCES PER ASME Y14.5M -1994 UNLESS OTHERWISE SPECIFIED:
CORNER FILLETS R.005-.020 [.127-.508]
TOLERANCES:
ANGLES: ±1°
1 PLACE .X: ±.100 [2.54]
2 PLACE .XX: ±.010 [0.25]
3 PLACE .XXX: ±.005 [0.13]

THE COMPONENT, PART, OR ASSEMBLY DESCRIBED IN THIS DOCUMENT MUST COMPLY WITH THE EU (EUROPEAN UNION) DIRECTIVE: RoHS DIRECTIVE 2011/65/EC.

THIRD ANGLE PROJECTION			
APPROVALS	DATE		
DRAWN	MCP	7OCT14	K520, K521, K524 END CONNECTOR PARTS & KITS
CHECKED BY			
APPROVED			
SIZE	C	DWG NO.	1081309
SCALE	1:2	SOLIDWORKS FORMAT	SHEET 2 OF 2